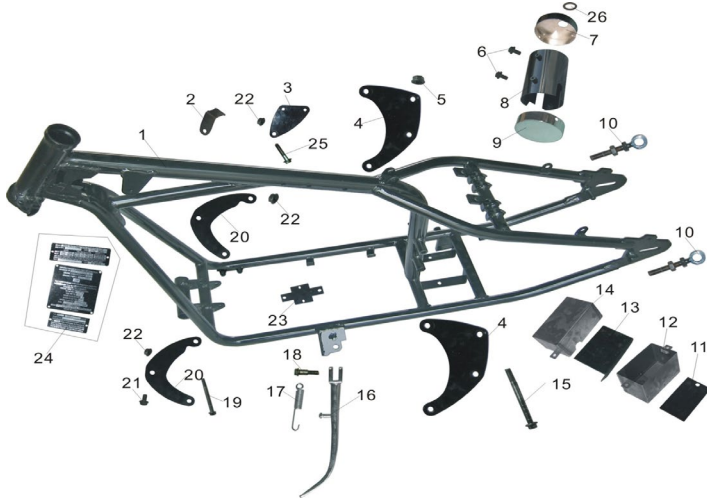




Cleveland CycleWerks Heist 250 Spare Parts 2010-2018

For Engine and Engine Parts, see CCW250 Spare Parts Catalog

FRAME/ ELECTRIC BOX



REF#	PART NUMBER	DESCRIPTION
E1-1	F200-0301000	FRAME
E1-2	F250-0100605	ROLL OVER VALVE BRACKET
E1-3	F200-0305202	UPPER ENGINE MOUNT
E1-4	F200-0305204	REAR ENGINE MOUNT
E1-5	GB6177	NUT M10x1.25 (Army Green)
E1-6	GB/T5787-20	BOLT M8x16 (Army Green)
E1-7	F200-0308102	ELECTRICAL DRUM COVER(RIGHT)
E1-8	F200-0308100	ELECTRICAL DRUM
E1-9	F200-0308104	ELECTRICAL DRUM COVER(LEFT)
E1-10	F200-1003100	CHAIN TENSIONER ASSY
E1-11	F200-0302104	BATTERY BOX RUBBER PAD
E1-12	F200-0401021	BATTERY BOX CHROME
E1-12		BATTERY BOX BLACK
E1-13	F200-0302103	BATTERY BOX COVER RUBBER PAD
E1-14	F200-0401022	BATTERY BOX COVER CHROME
E1-14		BATTERY BOX COVER GLOSS BLACK
E1-15	GB/T5789	REAR ENGINE MOUNT BOLT M10X110 (Army Green)
E1-16	F150-0304100	SIDE STAND
E1-17	F150-0304201	SIDE STAND SPRING
E1-18	F150-0304204	SIDE STAND BOLT
E1-19	GB/T5787-90	FRONT ENGINE MOUNT BOLT M8x85 (Army Green)
E1-20	F200-0305203	FRONT ENGINE MOUNT
E1-21	GB/T5787-20	BOLT M8x16 (Army Green)
E1-22	GB6177	NUT M8 (Army Green)
E1-23	F200-1504503	RECTIFIER BRACKET
E1-24	F200-1802004	FRAME NAMEPLATE
E1-25	GB/T5787-65	UPPER ENGINE MOUNT BOLT (Army Green)
E1-26	F200-1506105	IGNITION SWITCH LOCKING RING

LIGHTS/ SPEEDOMETER

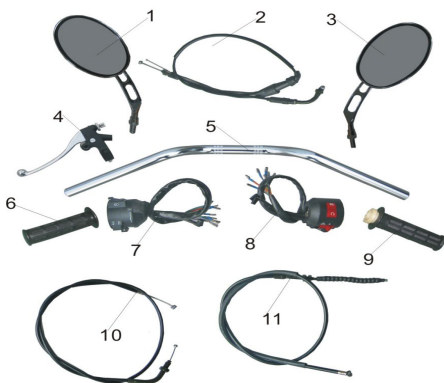
E2



REF#	PART NUMBER	DESCRIPTION
E2-1	F250A-1602308	FRONT TURN SIGNAL MOUNT LH
E2-2	F200-1602100	TURN SIGNAL LIGHT ASSY., LEFT FRONT CLEAR LENS
E2-2	F200-1602100	TURN SIGNAL LIGHT ASSY., LEFT FRONT ORANGE LENS
E2-2-1		TURN SIGNAL LIGHT BULB 12V/10W CLEAR
E2-2-1		TURN SIGNAL LIGHT BULB 12V/10W ORANGE
E2-3	F200-1602409	TURN SIGNAL WIRE COVER
E2-4	F200-1601100	HEADLIGHT ASSY CHROME
E2-4		HEADLIGHT ASSY BLACK
E2-4-1	F200-1601125	HEADLIGHT BULB 12V/35W
E2-4-2	F200-1601127	PILOT LIGHT BULB 12V/4W
E2-5	F250A-1602406	FRONT TURN SIGNAL MOUNT RH
E2-6	F200-1602200	TURN SIGNAL LIGHT ASSY., RIGHT FRONT CLEAR LENS
E2-6	F200-1602200	TURN SIGNAL LIGHT ASSY., RIGHT FRONT ORANGE LENS
E2-7		SPEEDOMETER mph CHROME
E2-7		SPEEDOMETER mph BLACK
E2-7		SPEEDOMETER km/h CHROME
E2-7		SPEEDOMETER km/h BLACK
E2-8	F200-1603100	TAILLIGHT ASSY CHROME
E2-8		TAILLIGHT ASSY BLACK
E2-8-1	F200-1603106	TAILLIGHT BULB 12V21W/5W
E2-9	GB6187-M10X1.5	HEADLIGHT MOUNT NUT M10×18×1.5 (Army Green)
E2-10	F250A-0506500	HEADLIGHT MOUNT CHROME
E2-10		HEADLIGHT MOUNT BLACK
E2-11	F200-1702000	ODOMETER CABLE
E2-12	F200-1602300	TURN SIGNAL LIGHT ASSY.,LEFT REAR CLEAR LENS
E2-12	F200-1602300	TURN SIGNAL LIGHT ASSY.,LEFT REAR ORANGE LENS
E2-13	F200-1602400	TURN SIGNAL LIGHT ASSY.,RIGHT REAR CLEAR LENS
E2-13	F200-1602400	TURN SIGNAL LIGHT ASSY.,RIGHT REAR ORANGE LENS

HANDLEBAR/ CONTROLS/ SWITCHES

E3



REF#	PART NUMBER	DESCRIPTION
E3-1	F200-0907100	LEFT MIRROR CHROME DOT

E3-1		LEFT MIRROR BLACK DOT
E3-1	F250-0907100	LEFT MIRROR CHROME E4
E3-1		LEFT MIRROR BLACK E4
E3-2	F200-0902100	THROTTLE CABLE, SHENG WEY
E3-3	F200-0907100	RIGHT MIRROR CHROME DOT
E3-3		RIGHT MIRROR BLACK DOT
E3-3	F200-0907200	RIGHT MIRROR CHROME E4
E3-3		RIGHT MIRROR BLACK E4
E3-4	F250A-0903200	CLUTCH LEVER ASSY CHROME
E3-4		CLUTCH LEVER ASSY BLACK
E3-5	F125-12-0901001	HANDLEBAR
E3-6	F125-12-0903500	LEFT HANDLEBAR GRIP
E3-7	F200-1501100	SWITCH ASSY LEFT
E3-8	F200-1501200	SWITCH ASSY RIGHT
E3-9	F125-12-0902300	RIGHT HANDLEBAR GRIP
E3-10	F200-0904100	CHOKE CABLE
E3-11	F200-0903100	CLUTCH CABLE

FENDERS

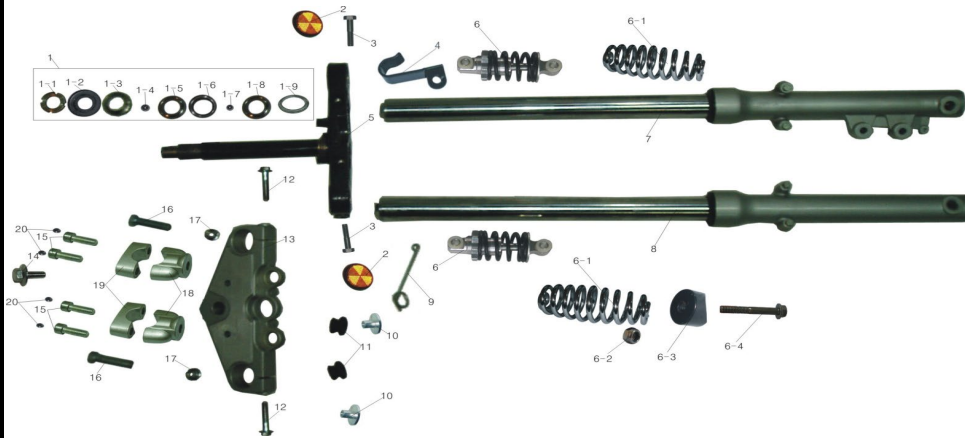
E4, E4-2



REF#	PART NUMBER	DESCRIPTION
E4-1	F200-0404001-GB	FRONT FENDER GLOSS BLACK
E4-1	F200-0404001-MB	FRONT FENDER MATTE BLACK
E4-2	F125-12-0404005	ODOMETER CABLE RUBBER GUIDE RING
E4-3	GB5787	FENDER BOLTS M6x16 (Army Green)
E4-3-1		FENDER SPACERS
E4-4	F200-0405001-GB	REAR FENDER SHORT GLOSS BLACK
E4-4	F200-0405001-MB	REAR FENDER SHORT MATTE BLACK
E4-2-4	F250-0405001A GB	REAR FENDER LONG GLOSS BLACK
E4-2-4	F250-0405001A MB	REAR FENDER LONG MATTE BLACK
E4-5	F200-0405002-R	REAR FENDER BRACKET SHORT, RIGHT
E4-2-5		REAR FENDER BRACKET LONG, RIGHT
E4-6	F200-0405003	REAR LICENCE PLATE BRACKET USA
E4-2-6	F250-0405003	REAR LICENCE PLATE BRACKET EU
E4-7	F200-0405002-L	REAR FENDER BRACKET SHORT, LEFT
E4-4-7		REAR FENDER BRACKET LONG, LEFT
E4-8	F125T-B-0804210	LICENSE PLATE BUMPER
E4-2-9	F50T-9-1606200	RED REFLECTOR
E4-10	GB/T5789-16	UPPER FENDER BRACKET BOLT M6X14 (Army Green)
		UPPER FENDER BRACKET BOLT M6X14 (Chrome)
E4-11	GB/T5789-20	LOWER FENDER BRACKET BOLT M6X20 (Army Green)
		LOWER FENDER BRACKET BOLT M6X20 (Chrome)
E4-12	GB/T6177	HEXAGON FLANGE NUT M6
E4-13	F125-6-0405030	REAR STAY RUBBER 14.5X22X6
E4-14	F125-10B-0401075	MIDDLE BRACKET RUBBER 14.5X36X14
E4-15	F125-6-0405031	BOTTOM BRACKET RUBBER 14.5X28X14

SUSPENSION/ STEERING

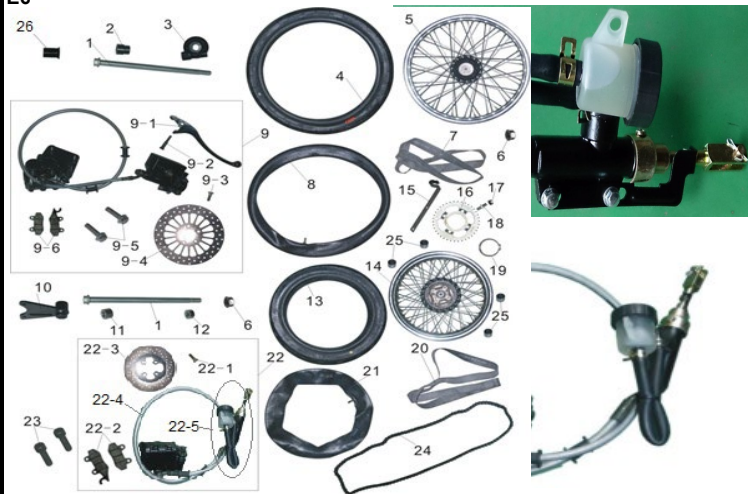
E5



REF#	PART NUMBER	DESCRIPTION
E5-1	F250A-0506303	BEARING SET
E5-1-1	F250A-0506204	SPANNER NUT
E5-1-2	F250A-0506210	DUST COVER
E5-1-3	F250A-0506305	BEARING CUP (OUTER, UPPER)
E5-1-4	F125-10B-0506302	STEEL BALL BEARING $\Phi 6.3$
E5-1-5	F250A-0506303-U	BEARING RACE (UPPER)
E5-1-6	F250A-0506306-L	BEARING CUP (OUTER, LOWER)
E5-1-7	F150-0506302	STEEL BALL BEARING $\Phi 7.96$
E5-1-8	F250A-0506304	BEARING RACE (LOWER)
E5-1-9	F250A-0506211	WASHER, RUBBER
E5-2	F50T-9-1606100	FRONT SIDE REFLECTOR
E5-3	F200-0506113	CLAMP TO FORKS BOLT M8x40 (Army Green)
E5-4	F250-0801212	DISC BRAKE HOSE GUIDE
E5-5	F250A-0506200	LOWER FORK CLAMP
E5-6	F200-1301300	SEAT SHOCK ABSORBER (SHORT)
E5-6-1	F200-1301301A	SEAT SPRING CHROME
E5-6-1		SEAT SPRING BLACK (R)
		SEAT SPRING BLACK (L)
E5-6-2	GB6187-M10X1.25	SOLO SPRING NUT M8 (Chrome)
E5-6-3	F200-1301001	SOLO SPRING MOUNT
E5-6-4	GB5787-50	SOLO SPRING BOLT M8x50 (Army Green)
E5-7	F200-0501000	SHOCK ABSORBER (FRONT, LEFT)
E5-8	F200-0502000	SHOCK ABSORBER (FRONT, RIGHT)
E5-9	F200-1702101	SPEEDOMETER GUIDE WIRE
E5-10	F250A-1504404	BUSHING METAL INSERT
E5-11	F250A-0302025	RUBBER BUSHING
E5-12	GB5787-40	CLAMP TO FORKS BOLT M8x45
E5-13	F250A-0506400	UPPER ALUMNUM FORK CLAMP
E5-14	F250A-0506208	STEM BOLT
E5-15	GB70-28	RISER CLAMP BOLT (HEX) M8x25 (Chrome)
E5-16	GB5782	RISER BOLT M10x1.5x40
E5-17	GB6187-M10X1.5	RISER NUT M10x1.5
E5-18	F250A-0901002	BOTTOM RISER CLAMP
E5-19	F250A-0901003	TOP RISER CLAMP
E5-20	F125T-9-0907105	CHROME RISER BOLT COVERS
	37X50X11	FORK OIL SEAL (INSIDE)
	37X50	FORK DUST SEAL (OUTSIDE)

WHEELS/ TIRES/ BRAKES

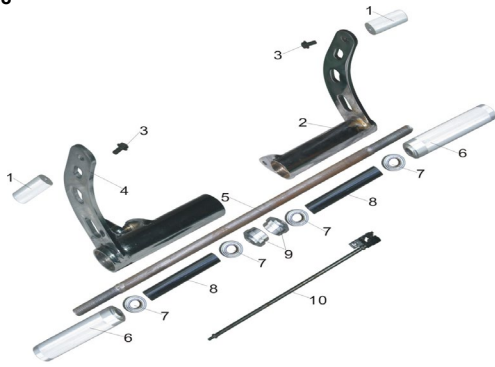
E6



REF#	PART NUMBER	DESCRIPTION
E6-1	F250A-0701208	FRONT REAR WHEEL AXLE(Φ15×275) (Chrome)
E6-2	F200-0701210	FRONT WHEEL LEFT BUSHING (Chrome)
		FRONT WHEEL LEFT BUSHING (Army Green)
E6-3	F200-0701100	SPEEDOMETER GEAR
E6-4	F200-0701404	FRONT TIRE
E6-5	F200-0701301	FRONT WHEEL(2.15-21)
E6-6	GB6177-M14X1.5	NUT M14×1.5 (Chrome)
E6-7	F200-0701406	FRONT WHEEL LINER
E6-8	F200-0701405	FRONT INNER TUBE
E6-9	F200-0801100	FRONT DISC BRAKE ASSEMBLY
E6-9-1		BRAKE LEVER CHROME
E6-9-1		BRAKE LEVER BLACK
E6-9-2	F200-0801113	BRAKE LEVER THROUGH BOLT
E6-9-3	F200-0801503	FRONT ROTOR INSTALATION SCREW
E6-9-4	F200-0801501	FRONT DISC (BRAKE ROTOR)
E6-9-5	GB/T5787-M10X42	FRONT CALIPER PLATE BOLT M10×45×1.5 (Chrome)
E6-9-6	F200-0801407	FRONT BRAKE PAD SET
E6-10	F200-0804102	REAR DISC BRAKE BRACKET
E6-11	F200-0702109	REAR WHEEL LEFT AXLE SPACER
E6-12	F200-0702110	REAR WHEEL RIGHT AXLE SPACER
E6-13	F200-0702204	REAR TIRE
E6-14	F200-0702101	REAR WHEEL(3.5-18)
E6-15	F200-0801213	BRAKE HOSE HOLD DOWN (FRONT FORKS)
E6-16	F200-1002100	REAR SPROCKET 41T
E6-17	GB6187-M10X1.25	NUT M10×1.25 (AXLE STUD NUT)
E6-18	GB/T902	DRIVE STUD FOR SPROCKET
E6-19	F200-1002203	SPROCKET CIRCLIP
E6-20	F200-0702206	REAR WHEEL LINER
E6-21	F200-0702205	REAR TIRE TUBE
E6-22	F200-0804101	COMPLETE REAR BRAKE SYSTEM W EXTERNAL RESERVIOR
E6-22-1	F200-0803406	SCREW (REAR DISC PLATE)
E6-22-2	F200-0803407	REAR BRAKE PAD SET
E6-22-3	F200-0803400	REAR DISC (BRAKE ROTOR)
E6-22-4	F200-0701100A	COMPLETE REAR BRAKE SYSTEM W EXTERNAL RESERVIOR
E6-22-5		REAR BRAKE MASTER WITH SEPARATE RESERVOIR
E6-23	GB70	Bolt,Installing rear disc plateM8×20 (Army Green)
E6-24	F200-1001100	DRIVE CHAIN 428
E6-25	F200-1002202	REAR DRIVE BOLT BUSHING
E6-26	F50T-6-0701216	FRONT AXLE RUBBER CAP (17mm) EU
E6-26	F2500701215	FRONT AXLE RUBBER CAP (21MM) EU

FORWARD CONTROLS

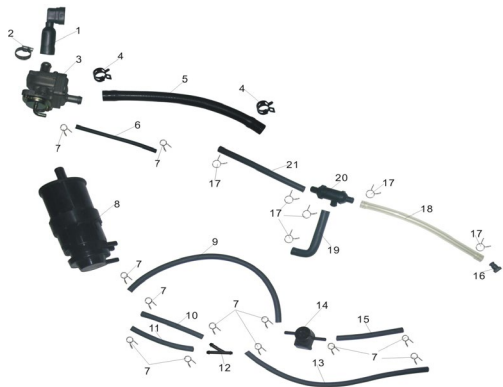
E8



REF#	PART NUMBER	DESCRIPTION
E8-1	F200-0401201	SHIFT LEVER / BRAKE LEVER PIECE A
E8-2	F200-0804205	REAR BRAKE LEVER CHROME
E8-2		REAR BRAKE LEVER BLACK
E8-3	GB/T5787-14	FOOTREST FIXED BOLT M8x16 (Army Green)
E8-4	F200-0109501	SHIFT LEVER PEDAL CHROME
E8-4		SHIFT LEVER BLACK
E8-5	F200-0401203	FOOTREST AXLE
E8-6	F200-0401202	FOOT REST
		HEX LOCK BOLT
E8-7	F200-0401206	FRONT FOOTREST BEARING
E8-8	F200-0401204	FRONT FOOTREST BEARING SPACER
E8-9	F200-0401205	FRONT FOOTREST MOUNTING BUSHING
E8-10	F200-0109502	SHIFT LINKAGE
E8-11		6MM (FOOT PEG) INTERNAL SET SCREW

SECONDARY AIR INJECTION/EVAP

E9



REF#	PART NUMBER	DESCRIPTION
E9-1	F250-0100610	SECONDARY AIR SUPPLY FILTER
E9-2	F50T-16-0100708	SCREW STYLE CLAMP
E9-3	F250-0100602	SECONDARY REED VALVE
E9-4	F250-0100603	SPRING CLAMP
E9-5	F250-0100604	HIGH TEMPERATURE HOSE
E9-6	F50T-B-1106003	VACUUM HOSE
E9-7	F125T-9-1106005	VACUUM HOSE CLAMP(SMALL)
E9-8	F250-0100605	CARBON CANISTER
E9-9	F250-1106006	FUEL VAPOR PASSAGE HOSE (A)
E9-10	F250-1106008	FUEL VAPOR PASSAGE HOSE (B)
E9-11	F250-1106007	VACUUM HOSE
E9-12	F250-0100609	PLASTIC Y FITTING
E9-13	F200-1106003	CARBURETOR VACUUM HOSE
E9-14	F250-0100610	ONE WAY (TIP OVER) VALVE
E9-15	F50T-12-1106001	FUEL TANK INTAKE HOSE
E9-16	F250-0100401	DRAIN HOSE PLUG
E9-17	F250-0100611	STEEL WIRE CLAMP
E9-18	F250-0100402	DRAIN HOSE
E9-19	F250-0100612	CRANKCASE BREATHER HOSE
E9-20	F250-0100613	OIL AIR SEPERATOR

FUEL TANK/ SEAT

E10



REF#	PART NUMBER	DESCRIPTION
E10-1	F200-1101101	FUEL CAP (NO VENT HOLE)
E10-1		FUEL CAP (WITH VENT HOLE)
E10-1-1		FUEL TANK CAP O RING
E10-2	GB	FUEL TANK GLOSS BLACK (EVAP)
E10-2	MB	FUEL TANK MATTE BLACK (EVAP)
E10-2	F200-1101100-GB	FUEL TANK GLOSS BLACK (EU)
E10-2	F200-1101100-MB	FUEL TANK MATTE BLACK (EU)
E10-3	F250A-0405015	FUEL TANK RUBBER
E10-4	F200-1101102	FRONT BUSHING
E10-5	F200-1103000	PETCOCK
E10-5-1		PETCOCK SEAL RING
E10-6	F200-1106004	HOSE CLAMP (BIG)
E10-7	F125T-9-1106004	HOSE CLAMP (SMALL)
E10-8	F125T-9-1104000	FUEL FILTER
E10-9	F200-1106001	UPPER FUEL HOSE(BIG)
E10-10	F200-1101103A	FUEL TANK STEEL REAR MOUNTING BUSHING
E10-11	GB6187-M8	NUT M8 (Army Green)
E10-12	F200-1301007	SEAT BRACKET
E10-13	F200-1301200	SEAT
E10-14	F125-12-1106002	LOWER FUEL HOSE (SMALL)
E10-15	GB/T5787-100	FUEL TANK FRONT FIXED BOLT M8×100 (Army Green)
		FUEL TANK FRONT FIXED BOLT M8×100 (Chrome)
E10-16	GB/T5787-85	FUEL TANK REAR FIXED BOLT M8×85 (Army Green)
		FUEL TANK REAR FIXED BOLT M8×85 (Chrome)
E10-17	GB/T802-M8	NUT M8×17 (Chrome)
		NUT M8×17 (Army Green)
E10-18	F200-1301016	SEAT SHOCK REAR INSTALLING BRACKET

AIR CLEANER/ EXHAUST

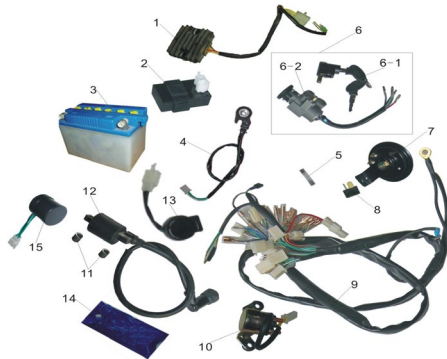
E11



REF#	PART NUMBER	DESCRIPTION
E11-1	GB5787	BOLT M10×1.25×30 (Army Green)
E11-2	F200-0201000	US EPA EXHAUST (MUFFLER) CHROME
E11-2	F250-0201000	EU EXHAUST (MUFFLER) BLACK
E11-3	GB6177	NUT M8 (Chrome)
E11-4	F200-0207003	EXHAUST GASKET
E11-5	F200-0114000A	AIR FILTER, CLAMP (BLACK)
E11-6	F125-10B-0102701	AIR INJECTION NIPPLE
		AIR FILTER, JOINT(RUBBER)
E11-7	F125-10B-0102702	BOLT SEAL FILTER
E11-8	GB6177	BOLT M10×1.5

WIRE HARNESS/ELECTRICAL

E12



REF#	PART NUMBER	DESCRIPTION
E12-1	F200-1504500	RECTIFIER
E12-2	F200-1504400	C.D. (ELECTRONIC LIMITED)
E12-3	F125-12-1503100	BATTERY(12V9AH)
E12-4	F200-1501400	SIDE STAND KILLSWITCH
E12-5	F200-1504800	FUSE
E12-6	F200-1506000	
E12-6-1	F200-1506200	LOCK ASSY.
E12-6-2	F200-1506100	
E12-7	F200-1502100	HORN ASSY.
E12-8	F200-1504600	RELAY
E12-9	F250-1505000	WIRE HARNESS
E12-10	F200-1504100	STATER SOLENOID
E12-11	F125-12-1101008	IGNITION COIL BUSH
E12-12	F200-1504200	IGNITION COIL
E12-13	F50T-9-1504300	FLASHER RELAY
E12-14	F125T-9-1900000	TOOL KIT
E12-15	F250-1501401	SIDE STAND KILLSWITCH RELAY